

## HYDRONIC AIR HANDLER with PSC Motor

**HWCGxxT0A**—These efficient air handlers with fixed speed PSC blower motors are designed for use with a boiler loop, and packed with most wanted features. They are AHRI matched to Heat Controller RSG split system condensers (see charts inside).

### Multi-position design

Shipped upflow or horizontal right from the factory, can be field converted to downflow or horizontal left applications

### Line Voltage Terminal Block

Allows fast, simple thermostat connection

### R-410A Factory Installed TXV

Provides reliable refrigerant metering

### Slide-Out Blower Assembly

Mounted on rails to make maintenance and service fast

### Freeze Protection for Both Heating & Cooling

Protects the entire system year 'round

### 3/4" Water Connections

Assures correct water supply lines

### Multi-Speed Blower

Direct drive blower with three speeds easily selected via motor terminals

Shipped from the factory with disposable filter in the filter rack.



**1 1/2 to 5 TONS**

### CABINET FEATURES

- Durable galvanized steel cabinet has painted front panels
- 1/2" faced insulation throughout protects against sweating, enhances efficiency

### EVAPORATOR COIL

- Copper tube/enhanced aluminum fins
- Non-corrosive drain pans
- Primary and secondary drain connections with alternate right side primary

### HYDRONIC HEAT

- Comes with hydronic heat coil installed
- Controls are accessible from the front
- Freeze stat wired into circulating pump control circuit

### ELECTRIC SUPPLY

- 120V, 60 Hz system
- Low voltage terminal block
- Connections can be made from cabinet top or left side

# HWCG Series Features & Benefits

Multi-position air handlers include a broad range of standard features:

- Direct drive, multi-speed blowers circulate air quietly and efficiently; motor terminals are used for simple selection of motor speed
  - Freeze protection in both heat and cool modes provides the ultimate in system protection
  - Unit circulates hot water every six hours to prevent coil freeze during OFF cycle
  - Blower time delay and fan time delay provide increased efficiency
- Coils are immersion tested, pressurized with nitrogen and factory sealed before shipment; coil is totally lead-free
  - Slide-out blower assembly makes service and maintenance fast and easy
  - Full cabinet insulation prevents sweating and mold formation, foil facing encapsulates glass fibers, and stick pins lock insulation in place
  - Operation is controlled by an electronic board, which includes source connections for hot water supply

## PERFORMANCE DATA—3.5 GPM PUMP

MODEL	PERFORMANCE DATA						ELECTRICAL DATA	
	COOLING NOM. TONS	HEATING COIL		HEATING CAP BTUH @ 3.5 GPM*			MIN. CIRC. AMPACITY	MAX. FUSE/CIRCUIT BREAKER
		ROW	SIZE	120° F EWT	140° F EWT	180° F EWT		
HWCG24T0A	1.5 - 2.0	3	18" X 12"	21,600	30,500	48,400	4.1	15A
HWCG36T0A	2.5 - 3.0	3	18" X 12"	29,800	42,100	67,300	7.4	15A
HWCG48T0A	3.5 - 4.0	4	22" X 14½"	45,900	64,900	98,000	12.5	25A
HWCG60T0A	5.0	4	22" X 14½"	47,800	67,600	102,200	12.5	25A

\*At high speed setting

## BLOWER DATA

MODEL	MOTOR HP	MOTOR VOLTAGE	MOTOR SPEED	CFM* V. EXTERNAL STATIC					AMPS
				0.10	0.20	0.30	0.40	0.50	
HWCG24T0A	1/5	115-1-60	Low	780	740	700	645	585	2.8
			High	850	800	745	685	620	
HWCG36T0A	1/3	115-1-60	Low	1000	980	920	870	800	5.4
			High	1210	1190	1160	1130	1070	
HWCG48T0A HWCG60T0A	3/4	115-1-60	Low	1360	1340	1310	1280	1230	9.5
			Medium	1530	1470	1420	1360	1310	
			High	1730	1670	1600	1540	1480	

# HWCG Series Hydronic Air Handler with PSC Motor

## CONDENSER MATCHES

CONDENSING UNIT	AIR HANDLER	CAPACITY BTUH	SEER	EER	AIRFLOW CFM
RSG1318S1E	HWCG24T0A	17,400	13.0	10.8	600
RSG1324S1E	HWCG24T0A	24,000	13.0	10.8	800
RSG1330S1E	HWCG36T0A	29,400	13.0	11.0	950
RSG1336S1E	HWCG36T0A	34,800	13.0	10.8	1145
RSG1342S1E	HWCG48T0A	40,000	13.0	10.9	1145
RSG1348S1E	HWCG48T0A	46,500	13.0	10.8	1585
	HWCG60T0A	47,000	13.0	10.8	1585
RSG1360S1E	HWCG60T0A	54,000	13.0	10.7	1600
RSG1424S1E	HWCG24T0A	23,400	14.0	12.0	800
RSG1430S1E	HWCG36T0A	30,000	14.0	12.0	1000
RSG1436S1E	HWCG36T0A	32,800	14.0	11.9	1200
RSG1442S1E	HWCG48T0A	39,500	14.0	12.0	1400
RSG1448S1E	HWCG48T0A	44,000	14.0	11.4	1600
	HWCG60T0A	44,500	14.0	11.5	1600
RSG1460S1F	HWCG60T0A	56,500	14.0	11.5	2000

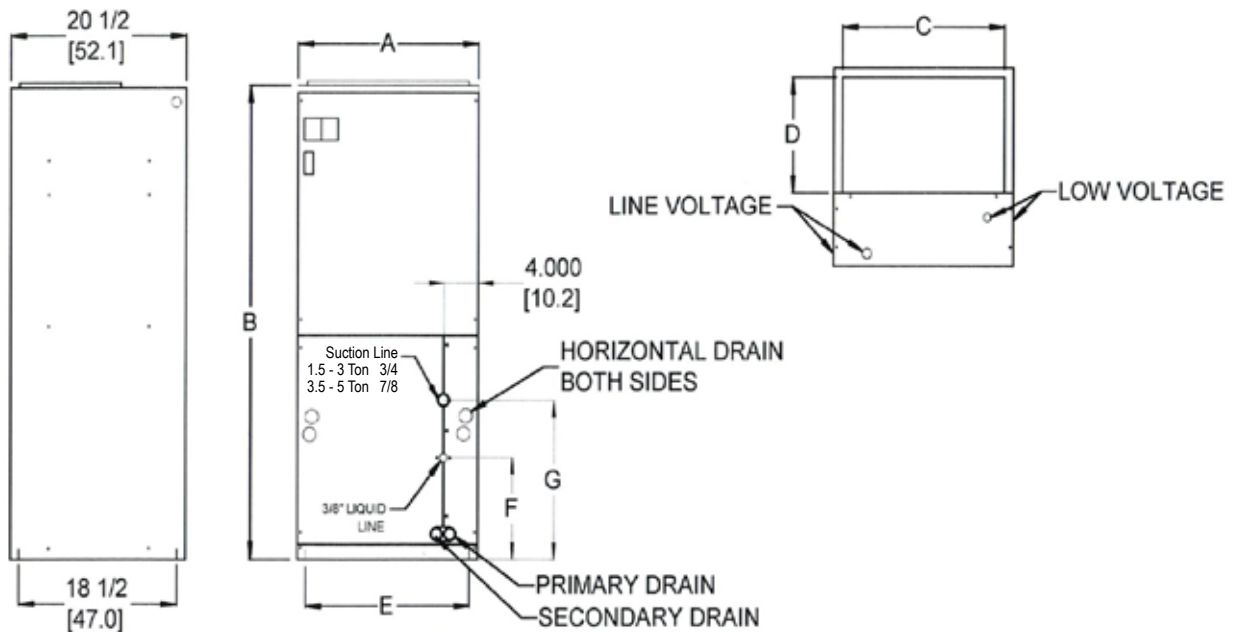
## MODEL NOMENCLATURE

H	W	C	G	18	T	0	A
H=Air Handler	W=Water Heat (Hydronic)	C=Aluminum Fin/ Copper Tube Coil	G=Green Gas (R-410A)	BTUH Capacity x 1000	T=TXV with PSC Blower Motor	Voltage Code 0=115V-1-60	Revision Level



Certification applies only when complete system is listed with AHRI.

# HWCG Series Hydronic Air Handler with PSC Motor



## PHYSICAL DIMENSIONS

MODEL	A	B	C	D	E	F	G	FILTER SIZE	PISTON SIZE	SHIPPING WT LBS
HWCG24T0A	21	49 <sup>1</sup> / <sub>4</sub>	18 <sup>3</sup> / <sub>4</sub>	12	18 <sup>1</sup> / <sub>2</sub>	8 <sup>1</sup> / <sub>4</sub>	12 <sup>1</sup> / <sub>4</sub>	16 x 20	0.059	100
HWCG36T0A	21	49 <sup>1</sup> / <sub>4</sub>	18 <sup>3</sup> / <sub>4</sub>	12	18 <sup>1</sup> / <sub>2</sub>	10 <sup>1</sup> / <sub>4</sub>	16 <sup>1</sup> / <sub>4</sub>	16 x 20	0.074	147
HWCG48T0A	24 <sup>1</sup> / <sub>2</sub>	57	22 <sup>1</sup> / <sub>4</sub>	14 <sup>3</sup> / <sub>4</sub>	22	13	18	20 x 20	0.084	180
HWCG60T0A	24 <sup>1</sup> / <sub>2</sub>	57	22 <sup>1</sup> / <sub>4</sub>	14 <sup>3</sup> / <sub>4</sub>	22	15	20	20 x 20	0.092	200

Due to ongoing product improvements, specifications and dimensions are subject to change and correction without notice or incurring obligations. Determining the application and suitability for use of any product is the responsibility of the installer. Additionally, the installer is responsible for verifying dimensional data on the actual product before beginning any installation preparations.

Third party incentive and rebate programs (Federal, state, utilities, etc.) have precise requirements as to product performance and certification. All products meet applicable regulations in effect on date of manufacture; however, certifications are not necessarily granted for the life of a product. Therefore, it is the responsibility of the applicant to determine whether a specific model qualifies for these incentive/rebate programs.

# HEAT CONTROLLER

1900 Wellworth Ave., Jackson MI 49203 • Ph. 517-787-2100 • [www.heatcontroller.com](http://www.heatcontroller.com)

A **WATS** Company